



Intellectual
Property
Office

Certificate of Registration for a UK Design

Design number: 6352413

Grant date: 28 May 2024

Registration date: 11 March 2024

This is to certify that,

in pursuance of and subject to the provision of Registered Designs Act 1949, the design of which a representation or specimen is attached, had been registered as of the date of registration shown above in the name of

Dr. Voore Subrahmanyam, Dr. Archana Sandhu, Dr. Shivam Shreevastava, Dr.

Anoop Kumar Tiwari, Dr. Priti Maratha, Dr. Ashish Tiwari

in respect of the application of such design to:

AI based Traffic Control Barrier

International Design Classification:

Version: 14-2023

Class: 25 BUILDING UNITS AND CONSTRUCTION ELEMENTS

Subclass: 02 PREFABRICATED OR PRE-ASSEMBLED BUILDING PARTS

Adam Williams

Comptroller-General of Patents, Designs and Trade Marks

Intellectual Property Office

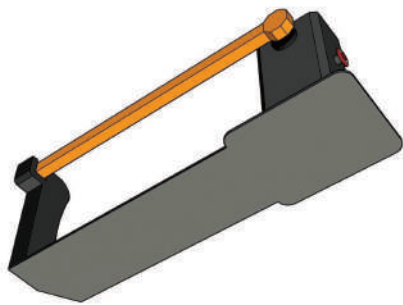
The attention of the Proprietor(s) is drawn to the important notes overleaf.

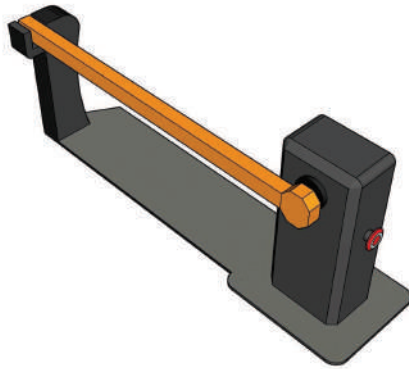


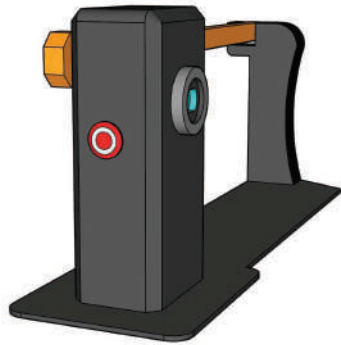
Intellectual Property Office is an operating name of the Patent Office

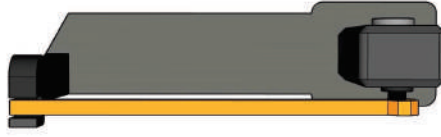
www.gov.uk/ipo

Representation of Designs









Intellectual Property Office is an operating name of the Patent Office

www.gov.uk/ipo